

# Melt Pressure Transmitter Data Sheet

## Industrial Pressure Transmitter

### Model: CMPT124B-116

#### Introduction

◆ CMPT124B-116 Series Melt Pressure Transmitter (rigid stem & flange type) can measure the pressure and temperature in one point. It adopts special construction design and excellent alloy elastic membrane to reduce the thermal draft and improve measurement accuracy. Zero & full span can be adjustable; with amplified signal can be connected with PLC, which is the international standard.

#### Application

- ◆ Chemical fiber Equipment
- ◆ Polyester manufacture equipment
- ◆ Other melt pressure measure and control

#### Features:

- ◆ Stainless steel welding
- ◆ Easy to install
- ◆ Zero and span adjustable
- ◆ Various amplified signals optional
- ◆ Internal 80% shunt calibration
- ◆ Good stability and anti-jamming capability
- ◆ Zero & Full Span Calibration
- ◆ Excellent stability and repeatability

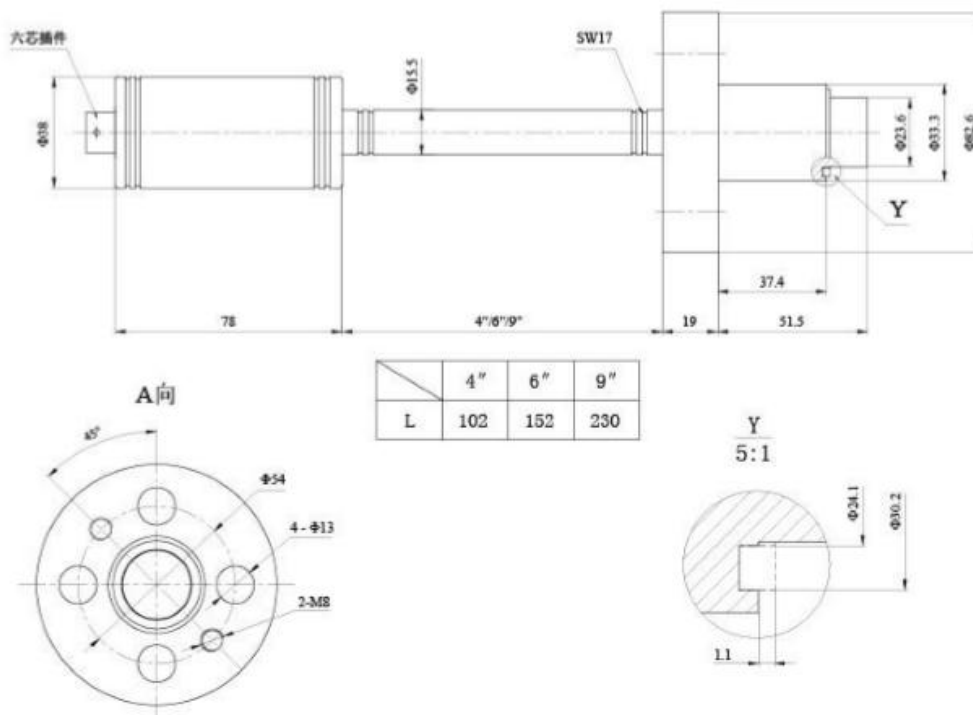


RoHS

CE



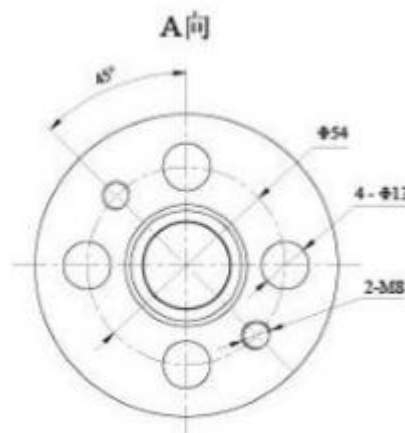
#### Dimensions(mm):



# Melt Pressure Transmitter Data Sheet

| Technical Characteristics |   |
|---------------------------|---|
| Model                     | CMPT124B-116  |
| Range                     | 0....1MPa to 0....150MPa (0...150psi to 0...20000psi) |
| Output                    | 0~10V; 4-20mA   |
| Accuracy                  | ±0.5%FS   |
| Input voltage             | 24VDC (12~36)VDC                                      |
| Repeatability             | ±0.2%   |
| Construction:             | Wheatstone bridge                                     |
| Bridge resistance         | 350 ohms±10%  |
| Overload pressure         | 2×FSO   |
| Internal calibration      | 80%FSO±1%   |
| Insulation Resistance     | 1000Megohms @50Vdc                                    |
| Max. Diaphragm Temp       | 400°C   |
| Electric connector        | 5PIN, 6PIN  |
| Process connector         | DN50  |

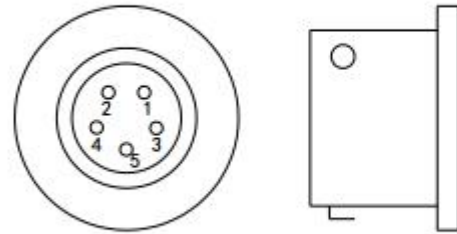
## Mounting hole



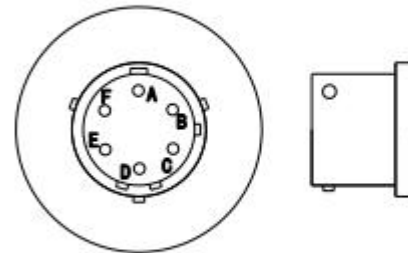
# Melt Pressure Transmitter Data Sheet

## Wiring diagram

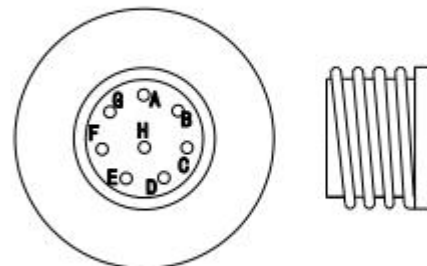
| Output                                   | Function     | Color  | 5PIN |
|--|--------------|--------|------|
| 0/5V,1-5V;<br>0/10V<br>0/0.5V<br>2.0mV/V | Signal +     | Blue   | 1    |
|  | Excitation + | Red    | 2    |
|  | Signal -     | White  | 3    |
|  | Excitation - | Yellow | 4    |
|  | Calibration  | Black  | 5    |
| Output                                   | Function     | Color  | 5PIN |
| 4/20mA                                   | Signal+      | Blue   | 1    |
|  | Excitation+  | Red    | 2    |
|  | Calibration  | Yellow | 4    |
|  | Calibration  | Black  | 5    |



| Output                                     | Function     | Color  | 6PIN |
|--|--------------|--------|------|
| 0-5V;1-5V;<br>0-10V;<br>0/0.5V<br>3.33mV/V | Signal +     | Blue   | A    |
|  | Signal -     | Green  | B    |
|  | Excitation + | Red    | C    |
|  | Excitation - | Yellow | D    |
|  | Calibration  | Brown  | E    |
|  | Calibration  | Black  | F    |
| Output                                     | Function     | Color  | 6PIN |
| 4-20mA                                     | E+ / S+      | Red    | A    |
|  | E- / S-      | Blue   | B    |
|  | Calibration  | Yellow | E    |
|  | Calibration  | Black  | F    |



| Output                                     | Function     | Color           | 8PIN |
|--|--------------|-----------------|------|
| 0-5V;1-5V;<br>0-10V;<br>0/0.5V<br>3.33mV/V | Excitation + | Red             | A    |
|  | Signal +     | Blue            | B    |
|  | Excitation - | Yellow          | C    |
|  | Signal -     | Green<br>/White | D    |
|  | Calibration  | Brown           | E    |
|  | Calibration  | Black           | F    |
|  | Blank        | --              | G, H |
| Output                                     | Function     | Color           | 8PIN |
| 4-20mA                                     | E+ / S+      | Red             | A    |
|  | E+ / S+      | Blue            | B    |
|  | Calibration  | Yellow          | E    |
|  | Calibration  | Black           | F    |





# Melt Pressure Transmitter Data Sheet

## Ordering Guide

| Model        | Range (bar) | Output | Screw Thread | Electric connection | Accuracy | Diameter (mm) | Other requirement |
|--------------|-------------|--------|--------------|---------------------|----------|---------------|-------------------|
| CMPT124B-116 | *           | *      | *            | *                   | *        | *             | ---               |

Example: CMPT124B-116-500Bar-4/20mA-DN50

